

# Range *domestic*

Water pressure booster - Regulation

MANUFACTURING TO CODAP



## Hydrofort

Bottom outlet - 750 to 2000 L, 10 bar



### PAINT

**Internal.** Anti rust glycerophthalic primer, colour red ocre, thickness 30 microns.

**External.** One coat acrylic urethane resin, colour orange, thickness 30 microns.



### BLADDER

Interchangeable food quality butyl.



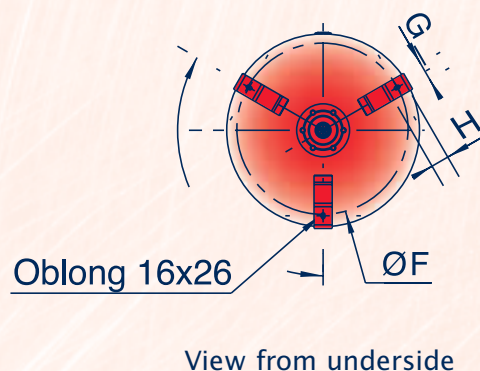
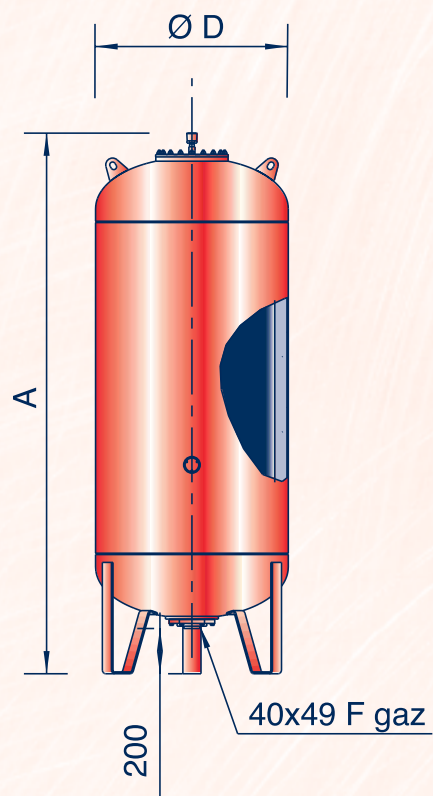
### WARRANTY

Not including parts subject to wear and tear and subject to use under normal conditions.



### PACKING

Bubble pack for the vessels, cardboard box for the various equipment and/or accessories.



View from underside

The dimension shown are indicative and can be modified without warning.

### Range 10/15 bar

CAP 1	A	ØD (mm)	F	G	H (mm)	Weight without outlet (kg)
750	1950	850	755	80	80	228
1000	2350	850	755	80	80	300
1500	2440	1000	905	100	80	388
2000	3120	1000	905	100	80	496