

# Range *domestic*

Water pressure booster - Regulation

MANUFACTURING TO CODAP



## Hydrofort

Bottom outlet - 100 to 500 L, 10 bar



### PAINT

**Internal.** Anti rust glycerophthalic primer, colour red ocre, thickness 30 microns.

**External.** One coat acrylic urethane resin, colour orange, thickness 30 microns.



### BLADDER

Interchangeable food quality butyl.



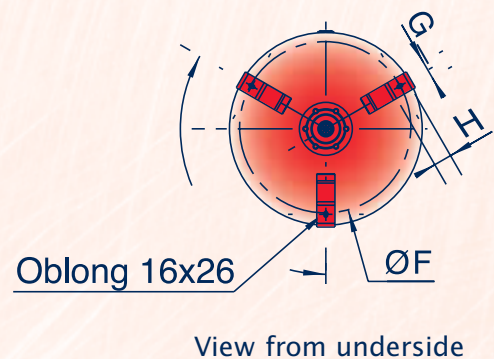
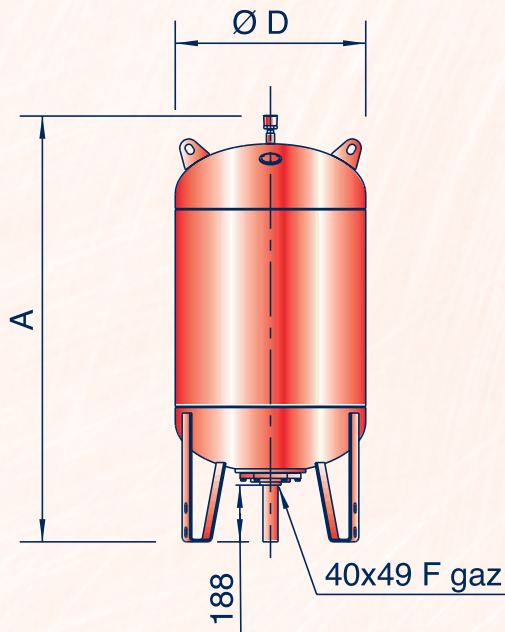
### WARRANTY

Not including parts subject to wear and subject to use under normal conditions.



### PACKING

Buble pack for the vessels, cardboard box for the various equipment and/or accessories.



The dimension shown are indicative and can be modified without warning.

### Range 10/15 bar

CAP I	A	ØD (mm)	F	G	H (mm)	Weight without outlet (kg)
100	750	630	560	50	60	42
200	1060	630	560	50	60	62
300	1410	630	560	50	60	80
500	2030	630	560	50	60	122