

Range *clear water*

Water pressure booster - Regulation - Anti water hammer

Hydrofort

Bottom outlet - 100 to 2000 L

The **Hydrofort** vessel ensures that the pressure in a system is maintained following low consumption or leaks (also limits the number of pump start per hour).

MANUFACTURING TO CODAP



PAINT

Internal. Anti rust glycerophthalic primer, colour red ocre, thickness 30 microns.
External. One coat acrylic urethane resin, colour orange, thickness 30 microns.



BLADDER

Interchangeable food quality butyl.



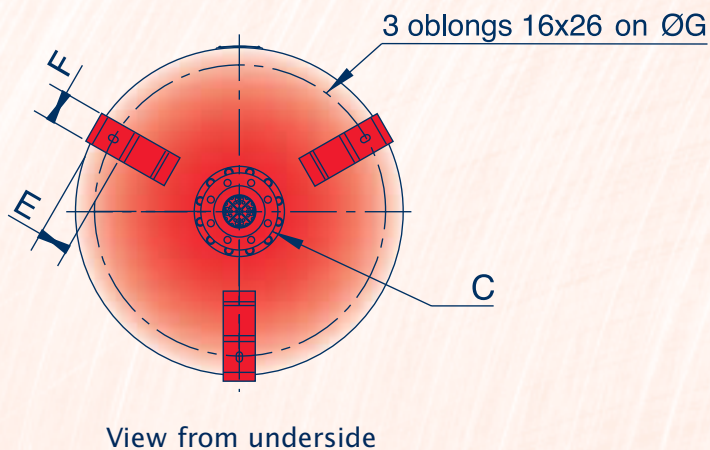
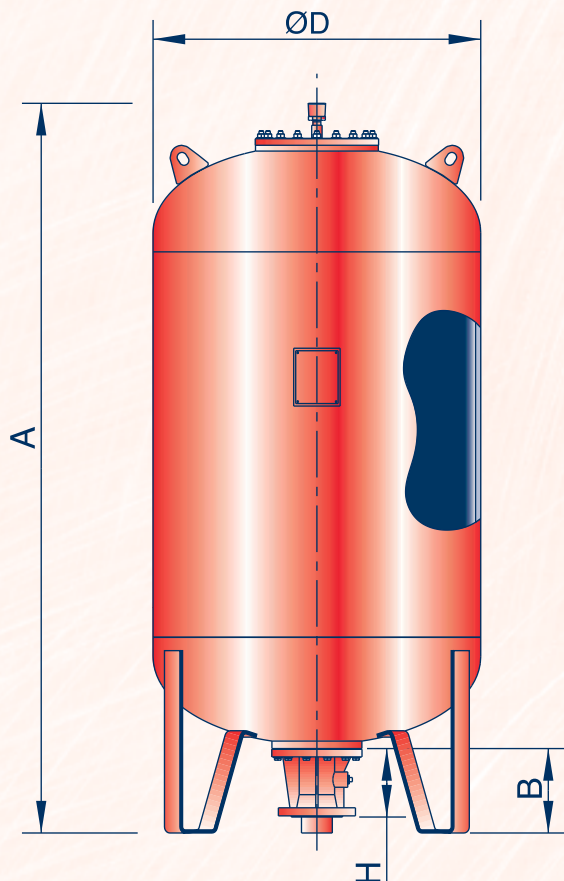
WARRANTY

Not including parts subject to wear and tear and subject to use under normal conditions.



PACKING

Bubble pack for the vessels, cardboard box for the various equipment and/or accessories.



Outlet C	H	Wt (KG)
DN50	180	12
DN80	176	14
DN100	167	12
DN125	167	13
DN150	170	14

The height of the outlet from the ground = B - H

Range 25/37.5 bar

The dimension shown are indicative and can be modified without warning.

Code	Vol.	A (mm)	B	Ø D	E (mm)	F	G	Weight without outlet (kg)
HF-100-25/37.5-VF	100	807	215	630	54	50	560	104
HF-200-25/37.5-VF	200	1132	215	630	54	50	560	147
HF-300-25/37.5-VF	300	1457	215	630	54	50	560	190
HF-500-25/37.5-VF	500	2107	215	630	54	50	560	276
HF-750-25/37.5-VF	750	1912	220	850	80	80	755	415
HF-1000-25/37.5-VF	1000	2412	220	850	80	80	755	525
HF-1500-25/37.5-VF	1500	2495	220	1000	80	100	905	756
HF-2000-25/37.5-VF	2000	3195	220	1000	80	100	905	971