

Range *clear water*

Water pressure booster - Regulation - Anti water hammer

Hydrofort

Bottom 90° elbow outlet - 100 to 2000 L

The **Hydrofort** vessel ensures that the pressure in a system is maintained following low consumption or leaks (also limits the number of pump start per hour).

MANUFACTURING TO CODAP



PAINT

Internal. Anti rust glycerophthalic primer, colour red ocre, thickness 30 microns.
External. One coat acrylic urethane resin, colour orange, thickness 30 microns.



BLADDER

Interchangeable food quality butyl.



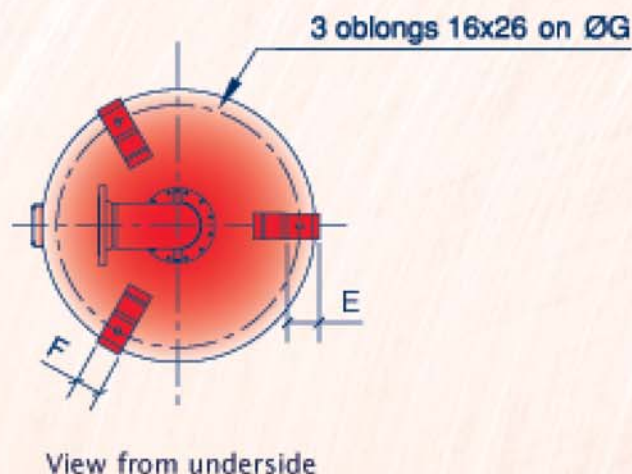
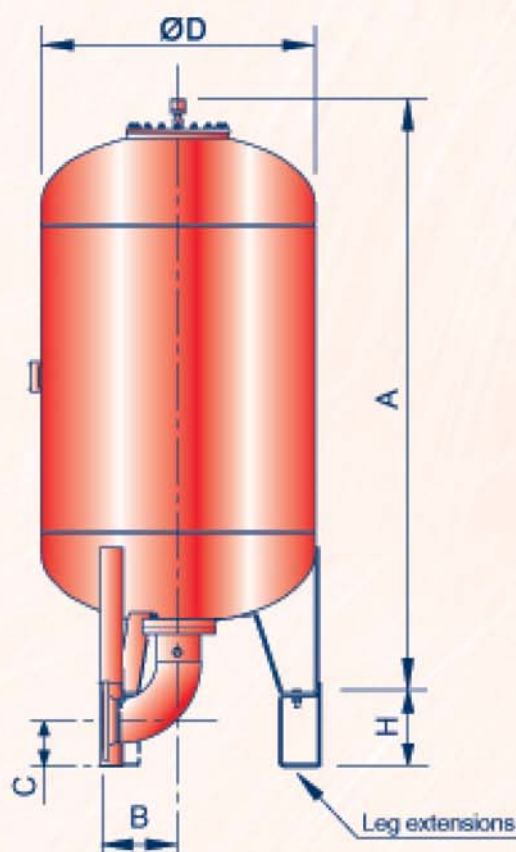
WARRANTY

Not including parts subject to wear and subject to use under normal conditions.



PACKING

Bubble pack for the vessels, cardboard box for the various equipment and/or accessories.



DN Outlet	Reference	B	C	Outlet weight (KG)	H
50	R7900M00001	124	241	13	230
80	R7901M00001	172	213	15	230
100	R7902M00001	204	182	16	230
125	R7903M00001	246	147	20	230
150	R7904M00001	284	176	25	300

The dimension shown are indicative and can be modified without warning.

Range 16/24 bar

Code	Vol.	A (mm)	Ø D (mm)	E	F	G	Weight without outlet (kg)
HF-100-16/24-VF	100	791	630	54	50	560	90
HF-200-16/24-VF	200	1101	630	54	50	560	122
HF-300-16/24-VF	300	1450	630	54	50	560	160
HF-500-16/24-VF	500	2076	630	54	50	560	222
HF-750-16/24-VF	750	1893	850	80	80	755	362
HF-1000-16/24-VF	1000	2393	850	80	80	755	451
HF-1500-16/24-VF	1500	2472	1000	80	100	905	637
HF-2000-16/24-VF	2000	3178	1000	80	100	905	818