

Range *clear water*

Water pressure booster - Regulation - Anti water hammer

Hydrofort

Bottom 90° elbow outlet - 100 to 2000 L

The **Hydrofort** vessel ensures that the pressure in a system is maintained following low consumption or leaks (also limits the number of pump start per hour).

MANUFACTURING TO CODAP



PAINT

Internal. Anti rust glycerophthalic primer, colour red ocre, thickness 30 microns.
External. One coat acrylic urethane resin, colour orange, thickness 30 microns.



BLADDER

Interchangeable food quality butyl.



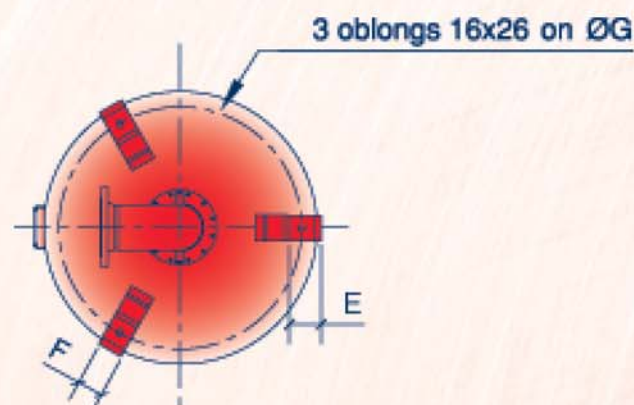
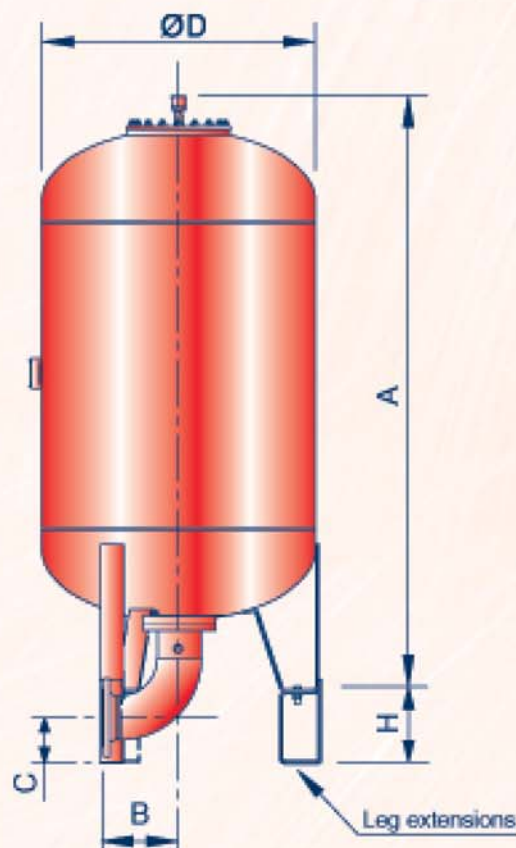
WARRANTY

Not including parts subject to wear and subject to use under normal conditions.



PACKING

Bubble pack for the vessels, cardboard box for the various equipment and/or accessories.



View from underside

| DN Outlet | Reference | B | C | Outlet Weight (KG) | H |
|-----------|-------------|-----|-----|--------------------|-----|
| 50 | R7900M00001 | 124 | 241 | 13 | 230 |
| 80 | R7901M00001 | 172 | 213 | 15 | 230 |
| 100 | R7902M00001 | 204 | 182 | 16 | 230 |
| 125 | R7903M00001 | 246 | 147 | 20 | 230 |
| 150 | R7904M00001 | 284 | 176 | 25 | 300 |

The dimension shown are indicative and can be modified without warning.

Range 10/15 bar

| Code | Vol. | A (mm) | Ø D (mm) | E | F | G | Weight without outlet (kg) |
|------------------|------|--------|----------|----|-----|-----|----------------------------|
| HF-100-10/15-VF | 100 | 783 | 630 | 54 | 50 | 560 | 71 |
| HF-200-10/15-VF | 200 | 1093 | 630 | 54 | 50 | 560 | 93 |
| HF-300-10/15-VF | 300 | 1418 | 630 | 54 | 50 | 560 | 116 |
| HF-500-10/15-VF | 500 | 2068 | 630 | 54 | 50 | 560 | 163 |
| HF-750-10/15-VF | 750 | 1863 | 850 | 80 | 80 | 755 | 261 |
| HF-1000-10/15-VF | 1000 | 2363 | 850 | 80 | 80 | 755 | 330 |
| HF-1500-10/15-VF | 1500 | 2414 | 1000 | 80 | 100 | 905 | 444 |
| HF-2000-10/15-VF | 2000 | 3114 | 1000 | 80 | 100 | 905 | 567 |