

Range *clear water*

Water pressure booster - Regulation - Anti water hammer

Hydrochoc

Lateral outlet - 500 to 2000 L

The **Hydrochoc** surge vessel is a hydropneumatic bladder accumulator which dampens water hammer in transients.

MANUFACTURING TO CODAP



PAINT

Internal. Anti rust glycerophthalic primer, colour red ocre, thickness 30 microns.

External. One coast acrylic urethane resin, colour orange, thickness 30 microns.



BLADDER

Interchangeable food quality butyl.



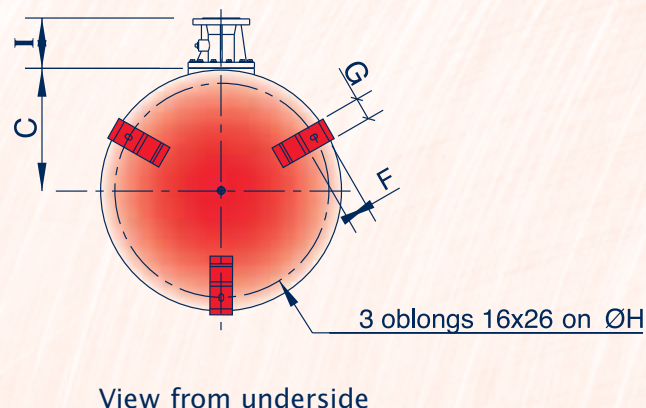
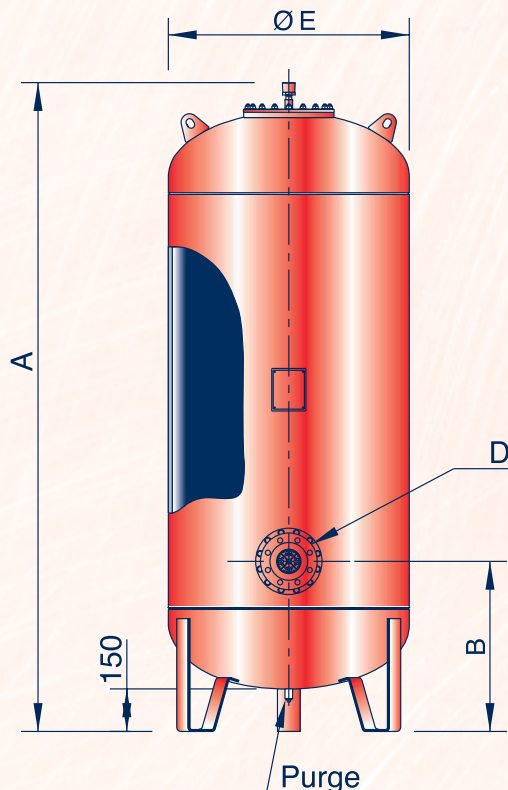
WARRANTY

Not including parts subject to wear and tear and subject to use under normal conditions.



PACKING

Buble pack for the vessels, cardboard box for the various equipment and/or accessories.



Outlet D	I	Wt (KG)
DN50	180	12
DN80	176	14
DN100	167	12
DN125	167	13
DN150	170	14

The dimension shown are indicative and can be modified without warning.

Range 25/37,5 bar

Code	Vol.	A (mm)	B	C	Ø E (mm)	F	G	H	Weight without outlet (kg)
BS-500-25/37.5-V	500	2023	550	320	630	54	50	560	275
BS-750-25/37.5-V	750	1832	600	428	850	80	80	755	413
BS-1000-25/37.5-V	1000	2332	600	428	850	80	80	755	522
BS-1500-25/37.5-V	1500	2411	630	506	1000	80	100	905	755
BS-2000-25/37.5-V	2000	3111	630	506	1000	80	100	905	971