

Range *clear water*

Water pressure booster - Regulation - Anti water hammer

Hydrochoc

Lateral outlet with NRV - 500 to 2000 L

The **Hydrochoc** surge vessel is a hydropneumatic bladder accumulator which dampens water hammer in transients.

MANUFACTURING TO CODAP



PAINT

Internal. Anti rust glycerophthalic primer, colour red ocre, thickness 30 microns.

External. One coast acrylic urethane resin, colour orange, thickness 30 microns.



BLADDER

Interchangeable food quality butyl.



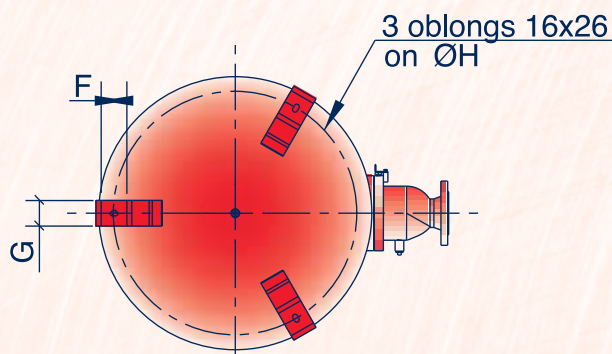
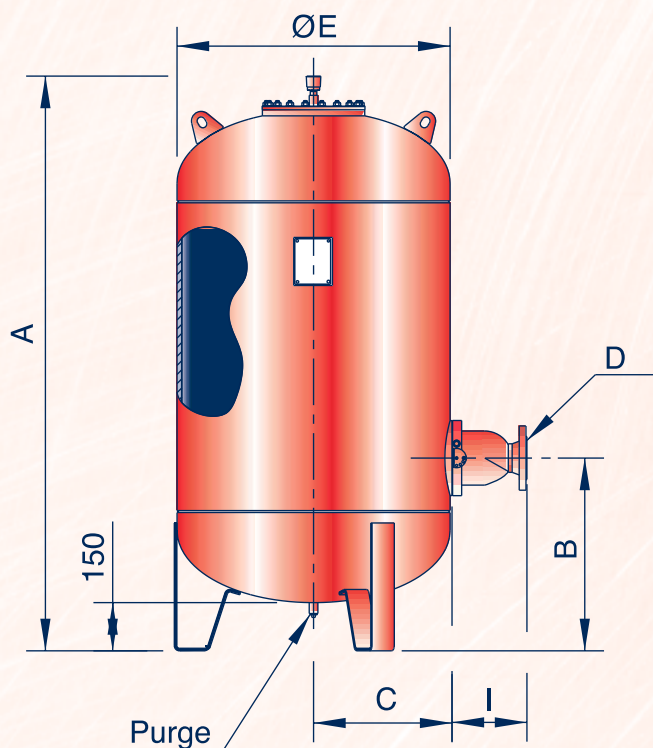
WARRANTY

Not including parts subject to wear and subject to use under normal conditions.



PACKING

Buble pack for the vessels, cardboard box for the various equipment and/or accessories.



View from underside

Outlet D	I	Wt (KG)
DN50	228	12
DN80	231	14
DN100	218	14
DN125	201	15
DN150	208	17

Range 16/24 bar

The dimension shown are indicative and can be modified without warning.

Code	Vol.	A (mm)	B	C	Ø E (mm)	F	G	H	Weight without outlet (kg)
HC-500-16/24-V	500	1996	550	322	630	54	50	560	209
HC-750-16/24-V	750	1816	600	432	850	80	80	755	340
HC-1000-16/24-V	1000	2316	600	432	850	80	80	755	425
HC-1500-16/24-V	1500	2398	630	507	1000	80	100	905	597
HC-2000-16/24-V	2000	3098	630	507	1000	80	100	905	778