

# Range *clear water*

Water pressure booster - Regulation - Anti water hammer

## Hydrochoc

Lateral outlet with NRV - 500 to 2000 L

The **Hydrochoc** surge vessel is a hydropneumatic bladder accumulator which dampens water hammer in transients.

MANUFACTURING TO CODAP



### PAINT

**Internal.** Anti rust glycerophthalic primer, colour red ocre, thickness 30 microns.

**External.** One coast acrylic urethane resin, colour orange, thickness 30 microns.



### BLADDER

Interchangeable food quality butyl.



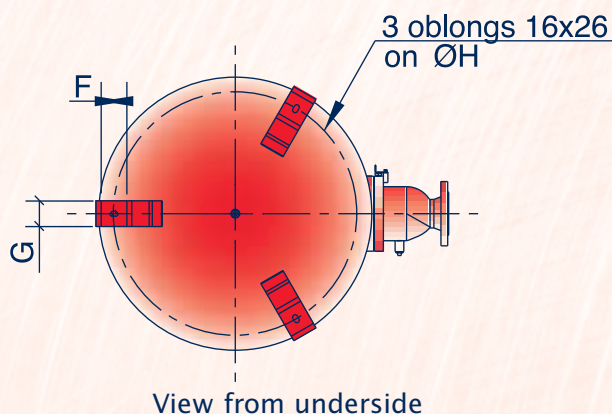
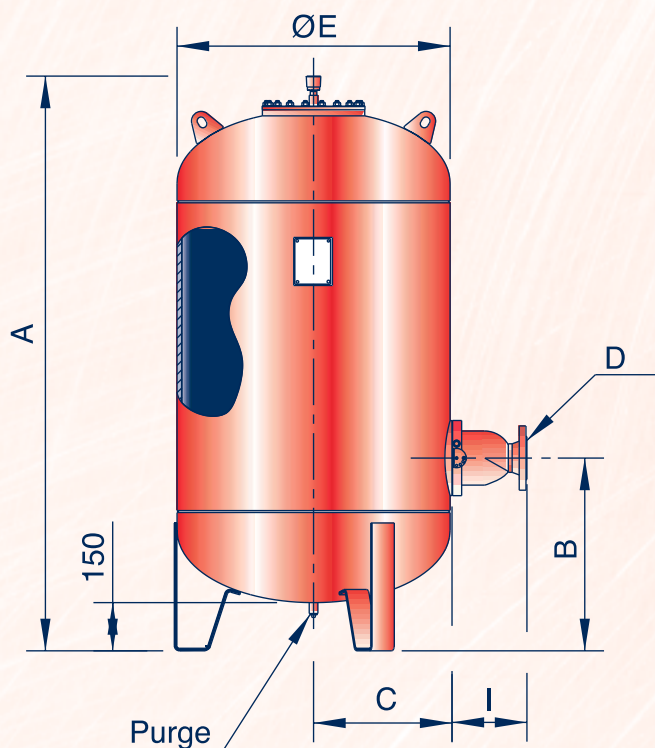
### WARRANTY

Not including parts subject to wear and tear and subject to use under normal conditions.



### PACKING

Buble pack for the vessels, cardboard box for the various equipment and/or accessories.



| Outlet D | I   | Wt (KG) |
|----------|-----|---------|
| DN50     | 228 | 12      |
| DN80     | 231 | 14      |
| DN100    | 218 | 14      |
| DN125    | 201 | 15      |
| DN150    | 208 | 17      |

The dimension shown are indicative and can be modified without warning.

### Range 10/15 bar

| Code            | Vol. | A (mm) | B   | C   | Ø E (mm) | F  | G   | H   | Weight without outlet (kg) |
|-----------------|------|--------|-----|-----|----------|----|-----|-----|----------------------------|
| HC-500-10/15-V  | 500  | 1988   | 550 | 323 | 630      | 54 | 50  | 560 | 150                        |
| HC-750-10/15-V  | 750  | 1789   | 600 | 433 | 850      | 80 | 80  | 755 | 234                        |
| HC-1000-10/15-V | 1000 | 2289   | 600 | 433 | 850      | 80 | 80  | 755 | 303                        |
| HC-1500-10/15-V | 1500 | 2341   | 630 | 508 | 1000     | 80 | 100 | 905 | 405                        |
| HC-2000-10/15-V | 2000 | 3041   | 630 | 508 | 1000     | 80 | 100 | 905 | 532                        |