

Range *clear water*

Water pressure booster - Regulation - Anti water hammer

Hydrochoc

Lateral outlet - 500 to 2000 L

The **Hydrochoc** surge vessel is a hydropneumatic bladder accumulator which dampens water hammer in transients.

MANUFACTURING TO CODAP



PAINT

Internal. Anti rust glycerophthalic primer, colour red ocre, thickness 30 microns.

External. One coast acrylic urethane resin, colour orange, thickness 30 microns.



BLADDER

Interchangeable food quality butyl.



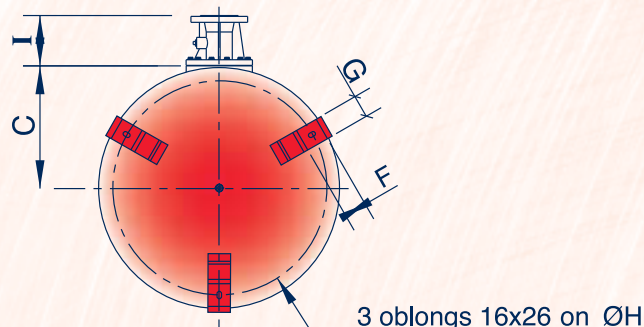
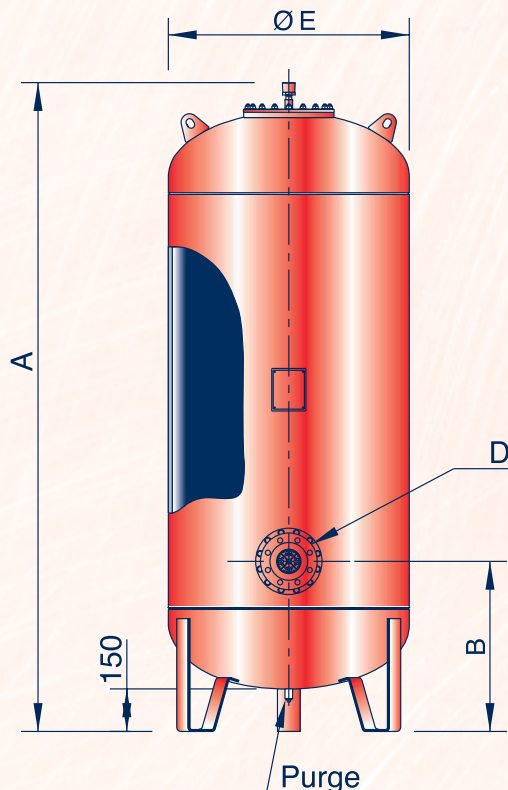
WARRANTY

Not including parts subject to wear and subject to use under normal conditions.



PACKING

Bubble pack for the vessels, cardboard box for the various equipment and/or accessories.



View from underside

3 oblongs 16x26 on ØH

Outlet D	I	Wt (KG)
DN50	180	12
DN80	176	14
DN100	167	12
DN125	167	13
DN150	170	14

The dimension shown are indicative and can be modified without warning.

Range 10/15 bar

Code	Vol.	A (mm)	B	C	Ø E (mm)	F	G	H	Weight without outlet (kg)
BS-500-10/15-V	500	1988	550	323	630	54	50	560	150
BS-750-10/15-V	750	1789	600	433	850	80	80	755	234
BS-1000-10/15-V	1000	2289	600	433	850	80	80	755	303
BS-1500-10/15-V	1500	2341	630	508	1000	80	100	905	405
BS-2000-10/15-V	2000	3041	630	508	1000	80	100	905	532