

Range *clear water*

Water pressure booster - Regulation - Anti water hammer

Hydrochoc

With non return valve - **100 to 2000 L**

The **Hydrochoc** surge vessel is a hydropneumatic bladder accumulator which dampens water hammer in transients.

MANUFACTURING TO CODAP



PAINT

Internal. Anti rust glycerophthalic primer, colour red ocre, thickness 30 microns.

External. One coast acrylic urethane resin, colour orange, thickness 30 microns.



BLADDER

Interchangeable food quality butyl.



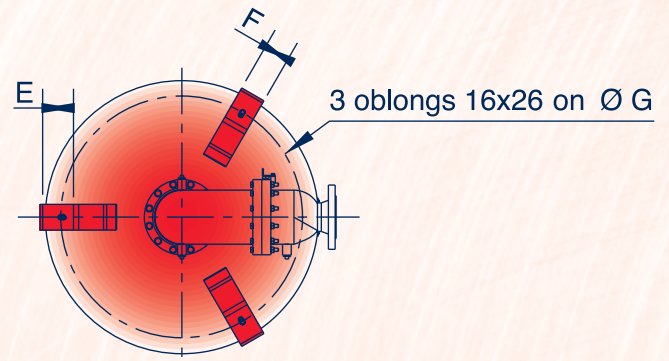
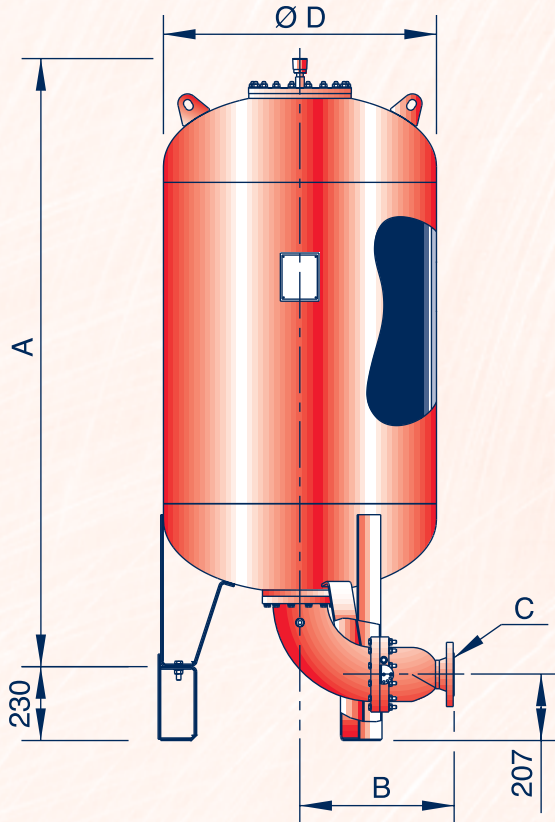
WARRANTY

Not including parts subject to wear and tear and subject to use under normal conditions.



PACKING

Buble pack for the vessels, cardboard box for the various equipment and/or accessories.



View from underside

Outlet C	B	Wt (KG)
DN50	476	32
DN80	480	35
DN100	460	34
DN125	450	35
DN150	457	37

The dimension shown are indicative and can be modified without warning.

Range 25/37,5 bar

Code	Vol.	A (mm)	Ø D (mm)	E	F	G	Weight without outlet (kg)
HC-100-25/37.5-VF	100	807	630	54	50	560	116
HC-200-25/37.5-VF	200	1132	630	54	50	560	159
HC-300-25/37.5-VF	300	1457	630	54	50	560	202
HC-500-25/37.5-VF	500	2107	630	54	50	560	288
HC-750-25/37.5-VF	750	1912	850	80	80	755	439
HC-1000-25/37.5-VF	1000	2412	850	80	80	755	549
HC-1500-25/37.5-VF	1500	2495	1000	80	100	905	792
HC-2000-25/37.5-VF	2000	3195	1000	80	100	905	1007