

Range *clear water*

Water pressure booster - Regulation - Anti water hammer

Hydrochoc

With non return valve - **100 to 2000 L**

The **Hydrochoc** surge vessel is a hydropneumatic bladder accumulator which dampens water hammer in transients.

MANUFACTURING TO CODAP



PAINT

Internal. Anti rust glycerophthalic primer, colour red ocre, thickness 30 microns.

External. One coat acrylic urethane resin, colour orange, thickness 30 microns.



BLADDER

Interchangeable food quality butyl.



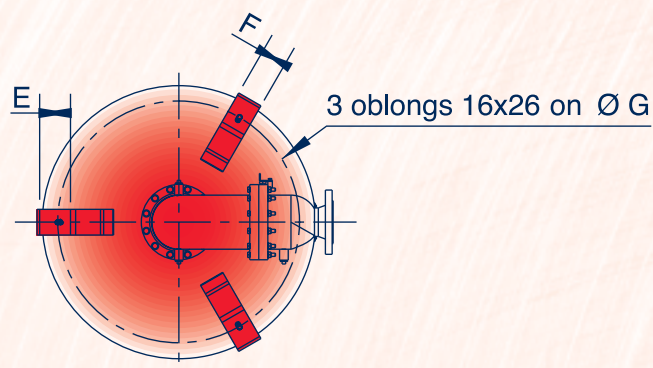
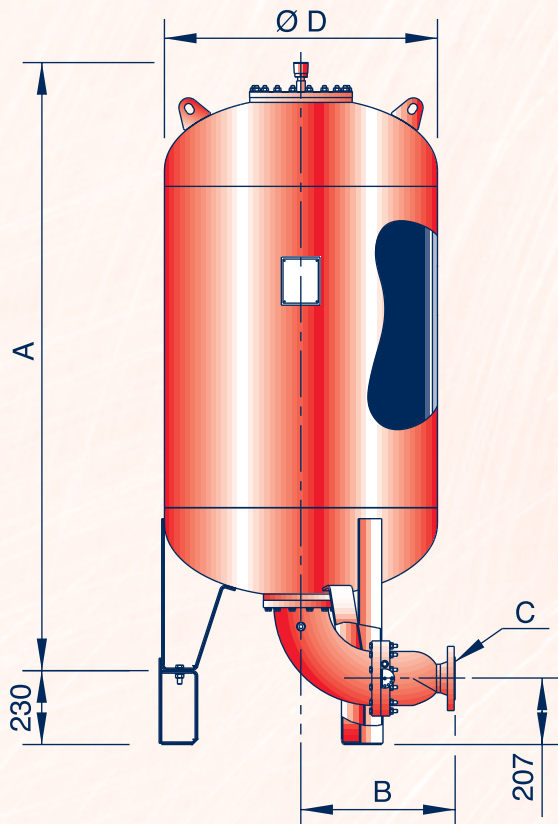
WARRANTY

Not including parts subject to wear and subject to use under normal conditions.



PACKING

Bubble pack for the vessels, cardboard box for the various equipment and/or accessories.



View from underside

Outlet C	B	Wt (KG)
DN50	476	32
DN80	480	35
DN100	460	34
DN125	450	35
DN150	457	37

The dimension shown are indicative and can be modified without warning.

Range *16/24 bar*

Code	Vol.	A (mm)	Ø D (mm)	E	F	G	Weight without outlet (kg)
HC-100-16/24-VF	100	791	630	54	50	560	90
HC-200-16/24-VF	200	1101	630	54	50	560	122
HC-300-16/24-VF	300	1450	630	54	50	560	160
HC-500-16/24-VF	500	2076	630	54	50	560	222
HC-750-16/24-VF	750	1893	850	80	80	755	362
HC-1000-16/24-VF	1000	2393	850	80	80	755	451
HC-1500-16/24-VF	1500	2472	1000	80	100	905	637
HC-2000-16/24-VF	2000	3178	1000	80	100	905	818